

MDM04 USER MANUEL

INDEX		
1.	FOREWORD	2
2.	INTRODUCTION	4
3.	TECHNICAL DETAILS	5
4.	NORMS AND CERTIFICATIONS	7
5.	DEFINITION AND WARNING STICKERS ON THE CASE	8
6.	ASSEMBLING AND ENVIRONMENTAL SITUATIONS	12
7.	MULTIPLEXING OF CASES	13
8.	INSTALLATION OF ENDWALLS	14
9.	ASSEMBLING OF KICKPLATE	16
10.	ASSEMBLING SHELVES	17
11.	ASSEMBLING OF LIGHTING	18
12.	ELECTRICAL CONNECTIONS	18
13.	TEMPERATURE CONTROL	19
14.	LOADING THE GOODS	19
15.	DEFROST AND DRAINAGE	21
16.	CARE, CLEANING AND TECHNICAL SERVICE	23
17.	RECYCLING	25
18.	SPARE PARTS	26
19.	WIRING DIAGRAMS	30

1. Foreword

This guide is prepared for the MDM04 cases. The details below are examined in general.

- Operation of Case
- Technical Details
- Installation and Assembling
- Information and suggestions for the users
- Care operations

Producer company does not have any responsibilities about the situations below.

- Harsh usage of Case
- Wrong assembling
- Electrical Effects
- Not doing the periodical cares
- Changes of Operation
- Wrong application of spare parts
- Ignoring the given information

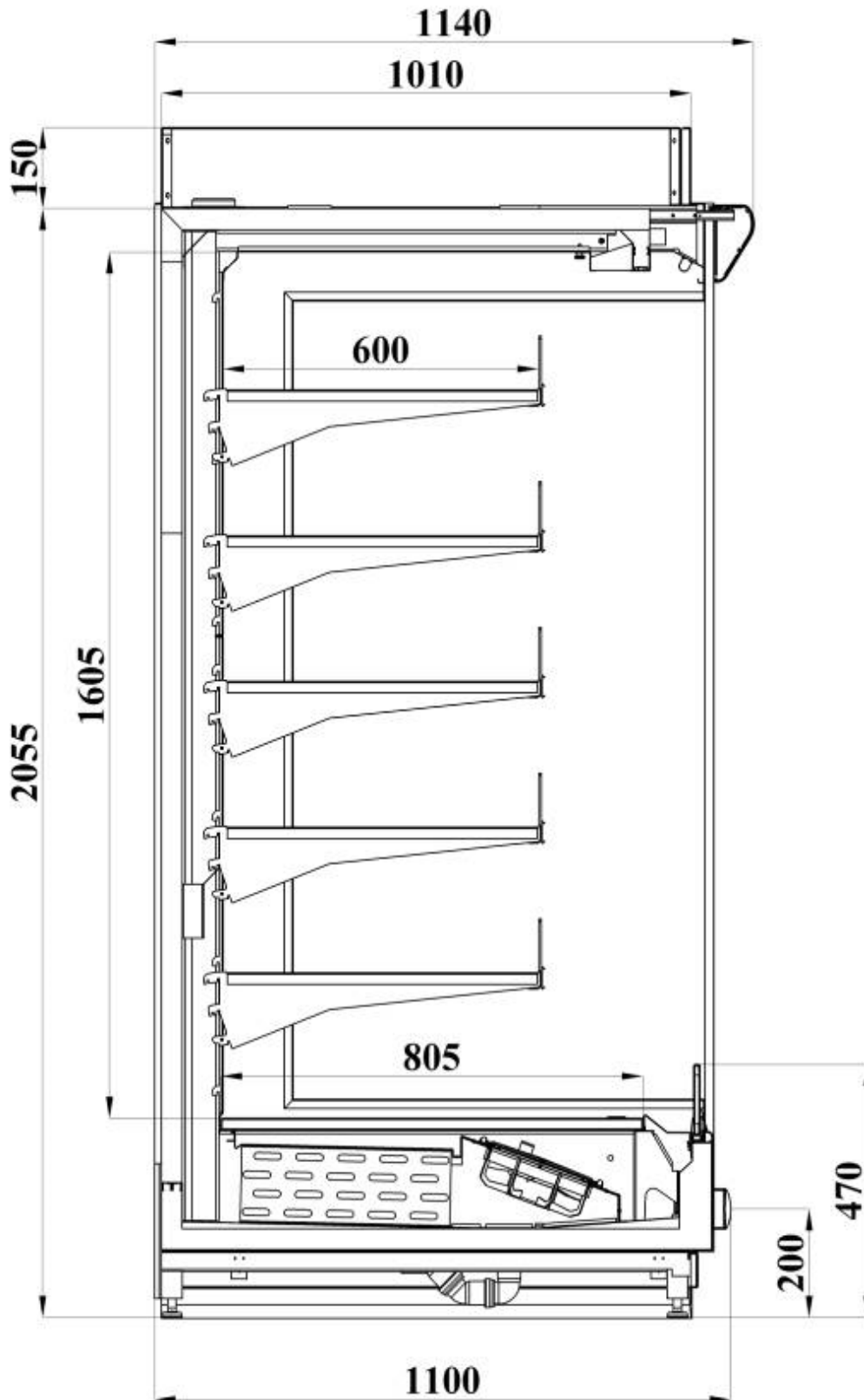
P.S. : Applications about electricity are dangerous for your life. Anyone who uses the refrigerator must read this guide.



2. Introduction.

MDM04 is a vertical open or can be closed front, multi shelved dairy and meat multideck. It's condensing unit is designed as a remote. With its wide display area and loading capacity, it is suitable for normal to and larger stores. On the cabinet milk and milk products, meat and meat products can be displayed. It is an offcycle defrost and energy saving cabinet



3. Technical Details



		MDM04 TECHNICAL DATA SHEET				
		TECHNICAL DETAILS	1875	2500	3750	2300CE
Refrigeration Load						
Case Temp (°C)	0/+4					
Evap Temp (°C)	-5					
Duty (kW)	2,85	3,8	5,7	3,27		
Expansion Valve (R404)	TES2 Or.03	TES2 Or.03	TES2 Or.04	TES2 Or.03		
	AKV 10-4	AKV 10-5	AKV 10-6	AKV 10-5		
Pipe Size - Suction	5/8"	19 mm	22 mm	19 mm		
Pipe Size - Liquid	3/8"	3/8"	1/2"	3/8"		
Pipe Size - Drain	40 mm					
Cubic Capacity (dm ³)	-	-	-	-		
Display Area (m ²)	3,36	4,48	6,71	4,51		
Defrost Details						
Defrost Type	Air					
Duration (minutes)	6 x 30 min.					
Termination	Temp (+8 °C)					
Defrost Heaters						
Evaporator (Coil)	-	-	-	-		
Frame	-	-	-	-		
Doors	-	-	-	-		
Front Glass	-	-	-	-		
Side Glass	-	-	-	-		
End Walls	-	-	-	-		
Body	-	-	-	-		
Water Drain	-	-	-	-		
Air Return	-	-	-	-		
Air Intake	15W	20W	30W	17W		
Electrical / Fans						
Supply	230 V / 50 Hz					
Lighting (T5)	2 x 21W	2 x 28W	3 x 28W	1 x (28W+21W)		
Lighting (LED)	2 x 14W	2 x 19W	3 x 19W	1 x (14W+19W)		
Evaporator Fans (W1G200-EA-9145)	4 x 10W	4 x 10W	6 x 10W	4 x 10W		
	1400 RPM	1400 RPM	1400 RPM	1400 RPM		
Design Conditions						
Temp (°C)	25	Humidity (%)	60	Cross Draft Air Speed (m/s)	0,2	
	TECHNICAL DOCUMENTATION	CHAPTER REVISION STATUS				
		ORD.	DATE	CHANGE ORDER	ORD.	DATE
PRODUCT	MDM04	A			D	
DATE of 1st ISSUE	19.10.2012	B			E	
ORDER	U. GUDUCU	C			F	

4. Norms and Certificates

The approved certificates of norms and refrigerators that are using as reference;
EN 60204-1; EN 61439-1; EN 61439-2

ENVIRONMENTAL CLIMATIC ATMOSPHERE (EN 23953-2)



This case is tested as class 3.

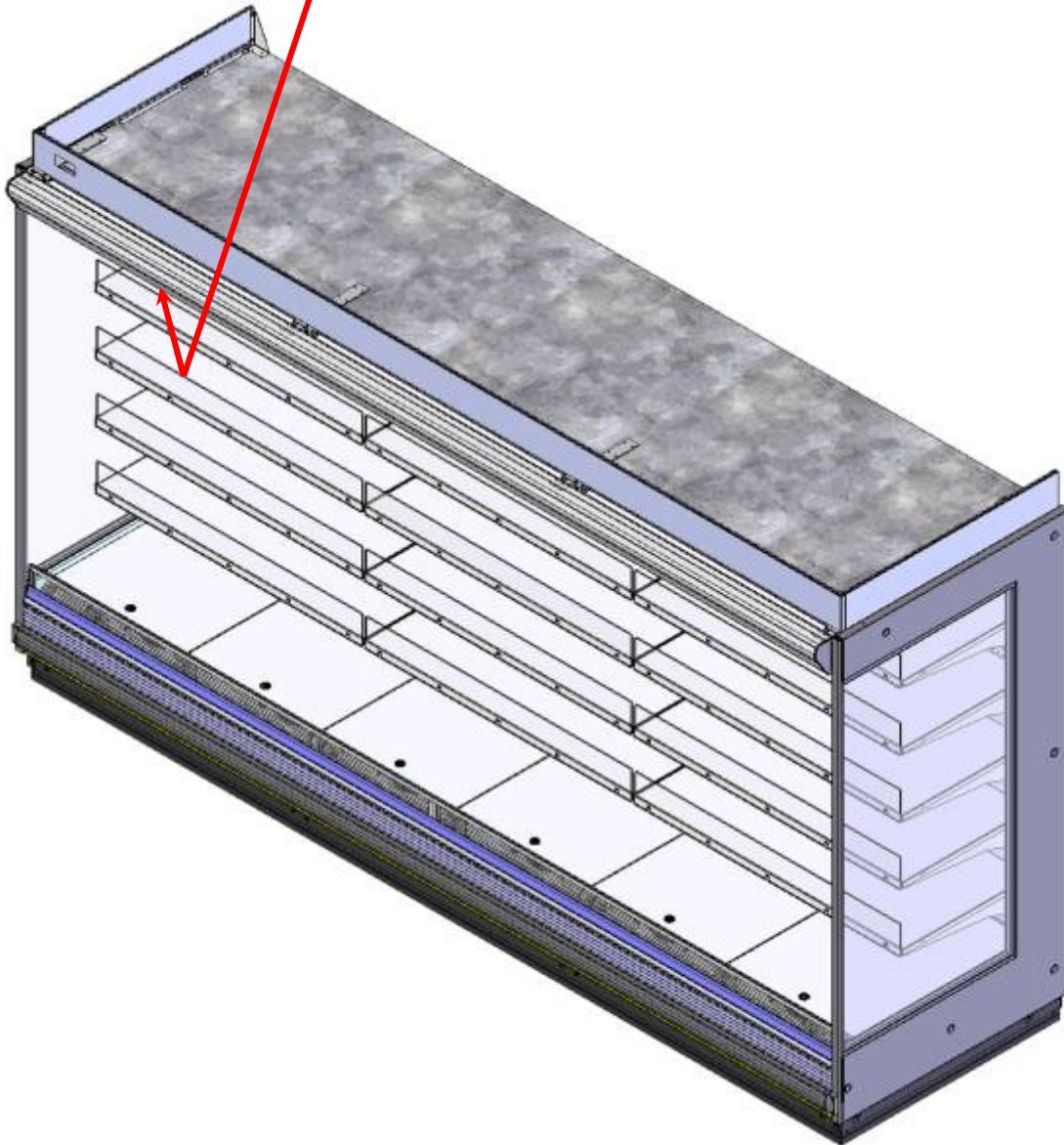
Class	Dry Air temperature	Relative Humidity	Dew Point
1	16°C	%80	12°C
2	22°C	%65	15°C
3	25°C	%60	17°C
4	30°C	%55	20°C
5	40°C	%40	24°C
6	27°C	%70	21°C

The directives that the refrigerator fits **EEC 73/23** , **EEC 98/37**

5. Warning and Definition Stickers On The Refrigerator

ÜRÜN TANIM ETİKETİ

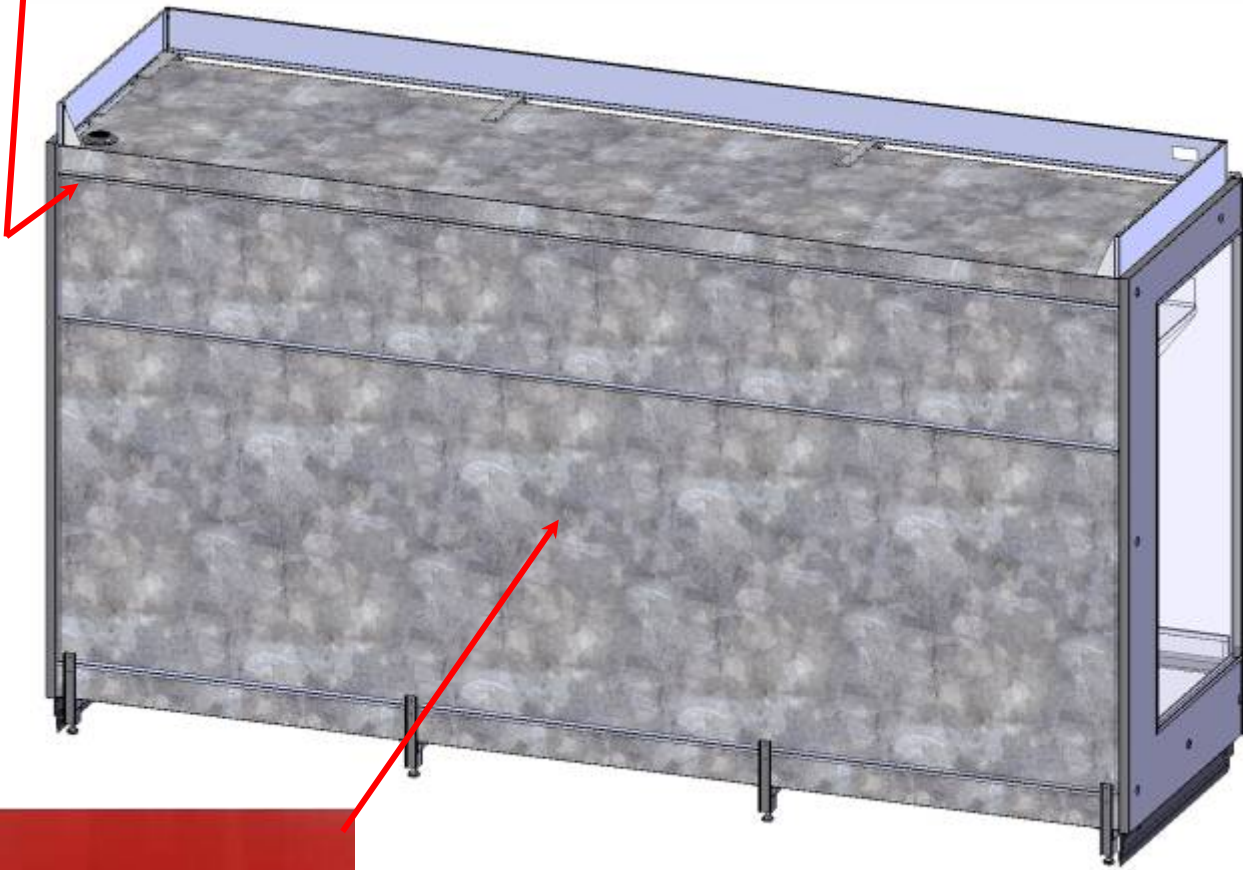
		AHMET YASAR REFRIGERATION KURUMCAKCI YOLU 10. KAT 34100 ÜSKÜDAR / İSTANBUL / TÜRKİYE www.ahmetyasar.com.tr		
MODEL / ÜRÜN BİLGİLERİ / ÇEVRE BİLGİLERİ	SPR TAGS : 2004 - N/A - 10004			
PRODUCT NUMBER : 5001303-200401	FANS : 118 W/40			
CLASS : 2	SLIDING ON CANOPY : 100 W/40			
TEMP RANGE : -10...+10	SLIDING ON UNITS : -10W			
REFRIGERANT : R 22	DRYER 10.000 : -10W			
DRYER TYPE : 20000 P/0007	DEFROST HEATER : -10W			
STANBUL : 100 0000-1 100 0000-1	EVAPORATOR : -10W			
EN 60335-2	LOAD MAX : 200 Kg			



BASINÇ ETİKETİ

WARNING!

This Plant is under nitrogen pressure of 70 bar





Hold-on points
for forklift

Loading sticker

Name Plate

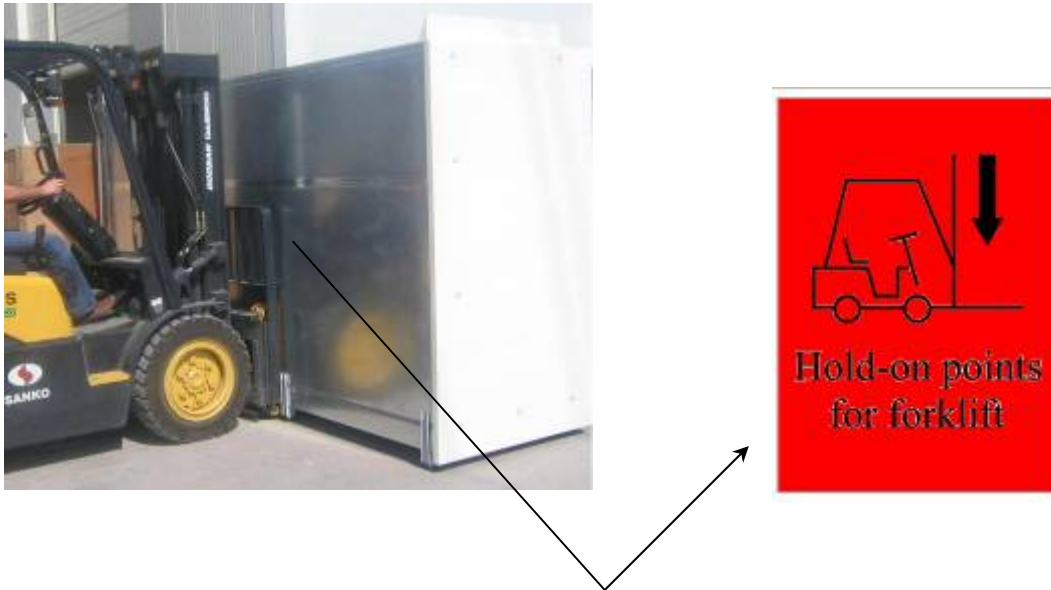
The stickers of the product definition is inside the case, on the ceiling and includes all technical properties

1		AHMET YASAR REFRIGERATION İstiklal İnan. 9. Sok. No:5 Kemaşpaşa Organize San. Bölgesi İznik-TURKEY Tel:+90 232 8771750 Fax:+90 232 8771751 WWW.AHMETYASAR.COM.TR			11
2	MODEL	: MDM08 3750MM	FANS	: 51 Watt	12
3	PRODUCT NUMBER	: 58102005-1171037	LIGHTING ON CANOPY	: 94 Watt	13
4	PRODUCTION DATE	: 04/2011	LIGHTING ON SHELVES	: Watt	14
5	CLASS	: 3	DEFROST HEATER	: Watt	15
6	TEMP. RANGE	: +2 / +4 °C	NIGHT BLIND	: Watt	16
7	REFRIGERANT	: R404 a	ANTI SWEAT HEATER	: Watt	17
8	VOLTAGE	: 220 V-NPE / 50 Hz	LOAD MAX	: 135 Watt	18
9	DIRECTIVE	: 2006 / 95 / EC - 2004 / 108 / EC - 98 / 37 / EC			
10	STANDARDS	: EN 60335-1/EN 60335-2-24/EN 60204-1/TS EN ISO 12100-1/TS EN ISO 12100-2			

1. Logo and address information of the producer company
2. Model and module dimension
3. Serial number
4. Production date
5. Class
6. Temperature range
7. Refrigerant
8. Voltage
9. Directives
10. Standards
11. Certificate
12. Electrical consumption of fans
13. Electrical consumption of lights
14. Electrical consumption of shelf lighting (if any)
15. Electrical consumption of defrost heater
16. Electrical consumption of night blind (electronical Optional)
17. Electrical consumption of anti sweat heater (if any)
18. Total electrical consumption

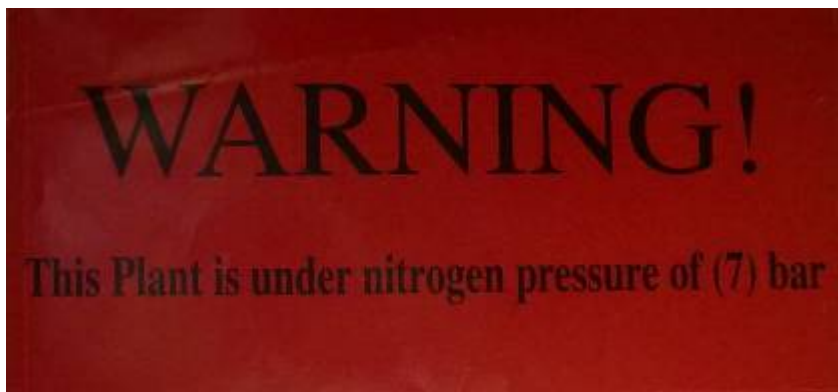
Loading Sticker

There are palettes located on the refrigerator for transportation. Transportations with forklifts or transpalettes are materialized by the assistance of these palettes. There is a sticker behind the refrigerator about the transportation palettes. The sticker must be centered with the forklift handles during the transportation as shown in the diagram below.



Pressure Sticker

Pressure sticker is located at the exit points of the copper pipes. It is used for determining the quantity of nitrogen.

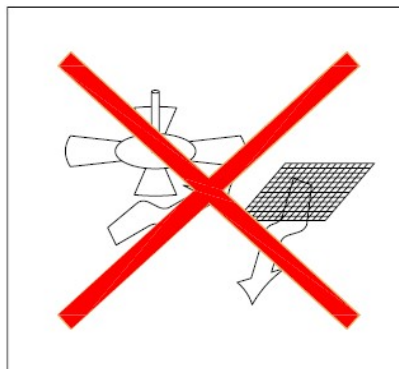
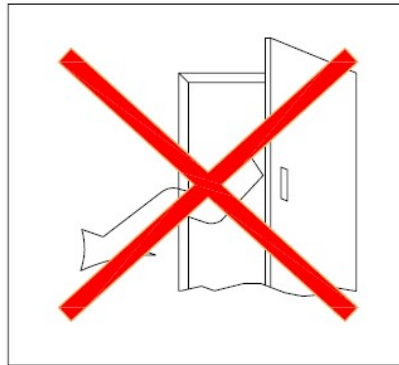
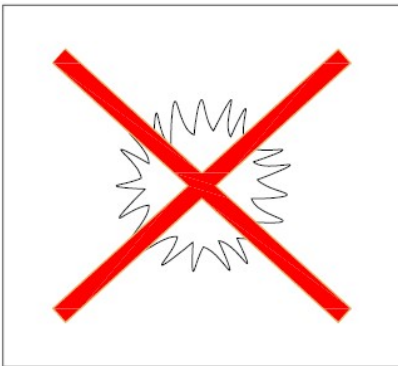


6. Assembling and Environmental Issues

Follow the instructions below for assembling.

The situations that must be paid attention to placing the refrigerators

- Do not leave or assemble the refrigerator at the positions below ;
 - Closer to any explosive gasses
 - Closer to heaters
 - Through the draught



7. Multiplexing Of Cases

Follow the sequences below for connecting two or more refrigerators.

— Place the refrigerators closer to each other

— Disassemble the palette. Level the refrigerators by arranging the heights of cabinet legs. (Diagram 1) Check on the balance by using water ballance*** (Diagram 2). Check the balance of the refrigerator by moving it.

➤ Side Pillar Connection

-- Attach the connection equipments to the connection hole which is located near the refrigerator on the base tray pillars. Connection equipments and their locations are shown on the diagram 3

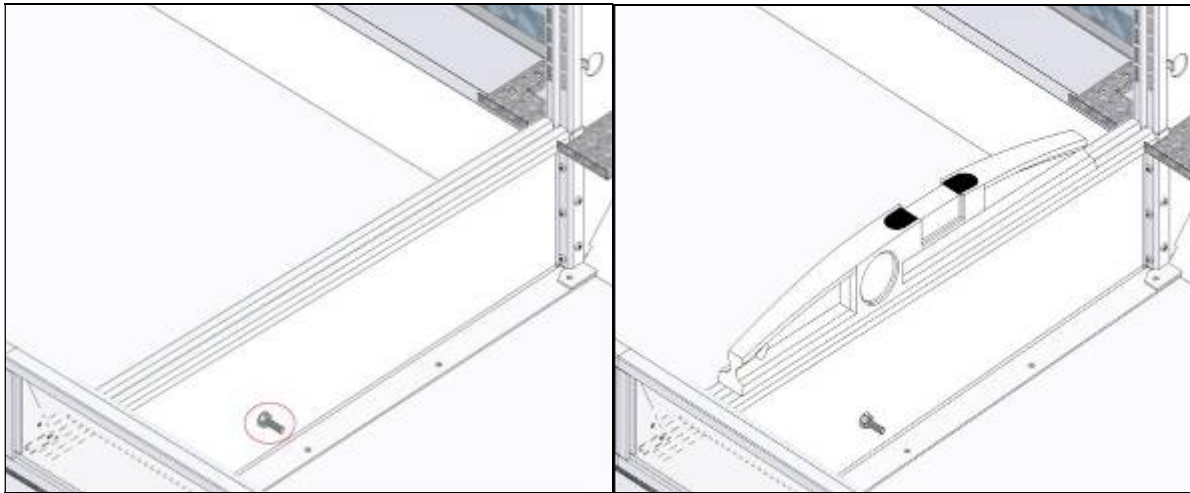


Diagram 1

Diagram 2

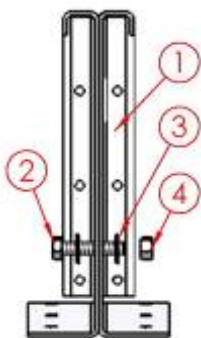


Diagram 3

POS	MATERIAL NAME	UNIT
1	Side Pillar	On it
2	M8x80 Hexagonal screw	1
3	M8 Washer	2
4	M8 Nut	1

8. Assembling Of Endwalls

First of all stick the isolation tape to the panel plastic and to the body polyurethane supporter.
(The surfaces that isolation tape must be stucked are shown in Diagram 4)

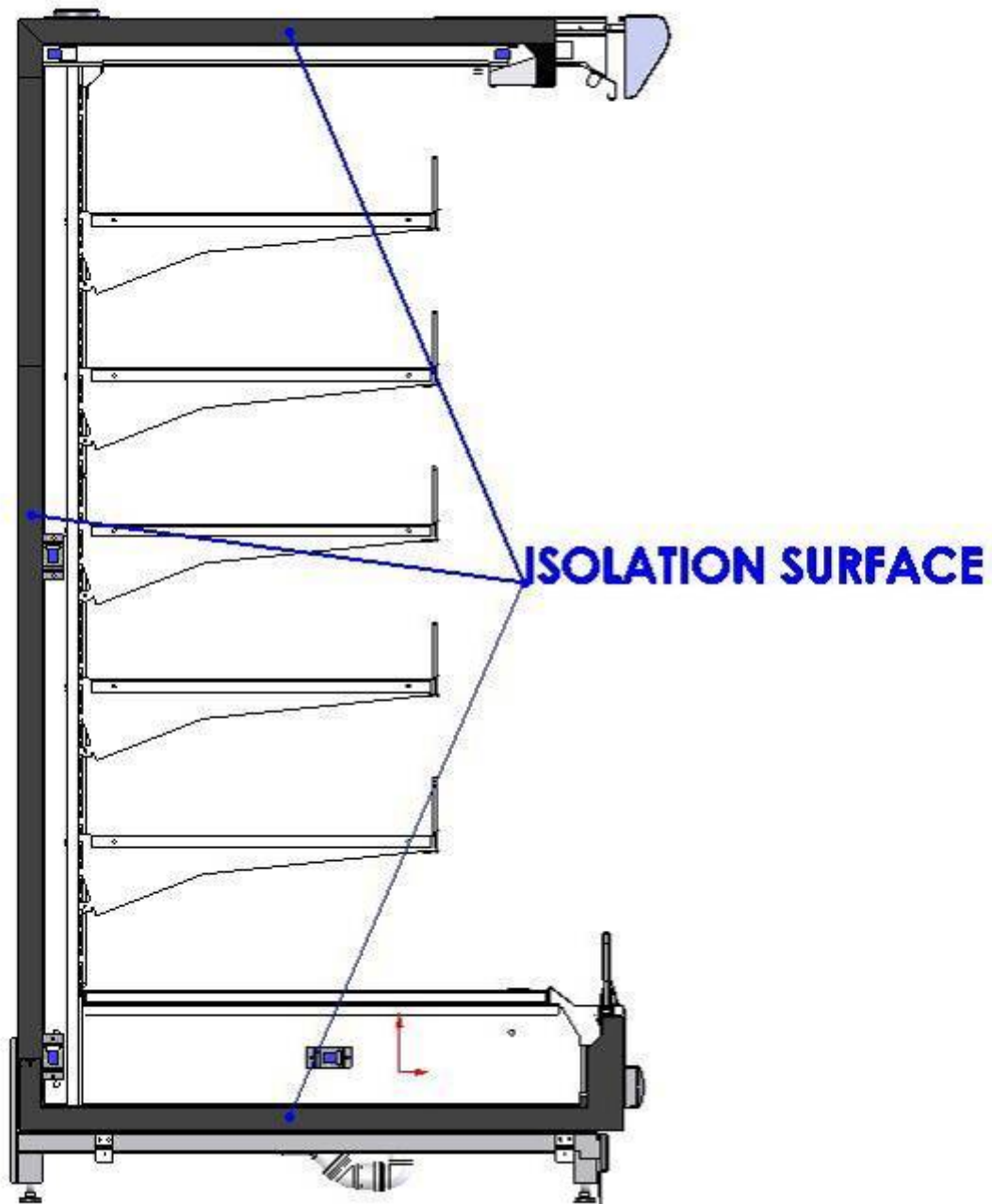


Diagram 4

Enclose the endwall in the same level of kick plate, 10 mm higher than the upper panel. With 6 pcs of screws it is attached to the endwall brackets that can be found on the brackets. (Diagram 5)

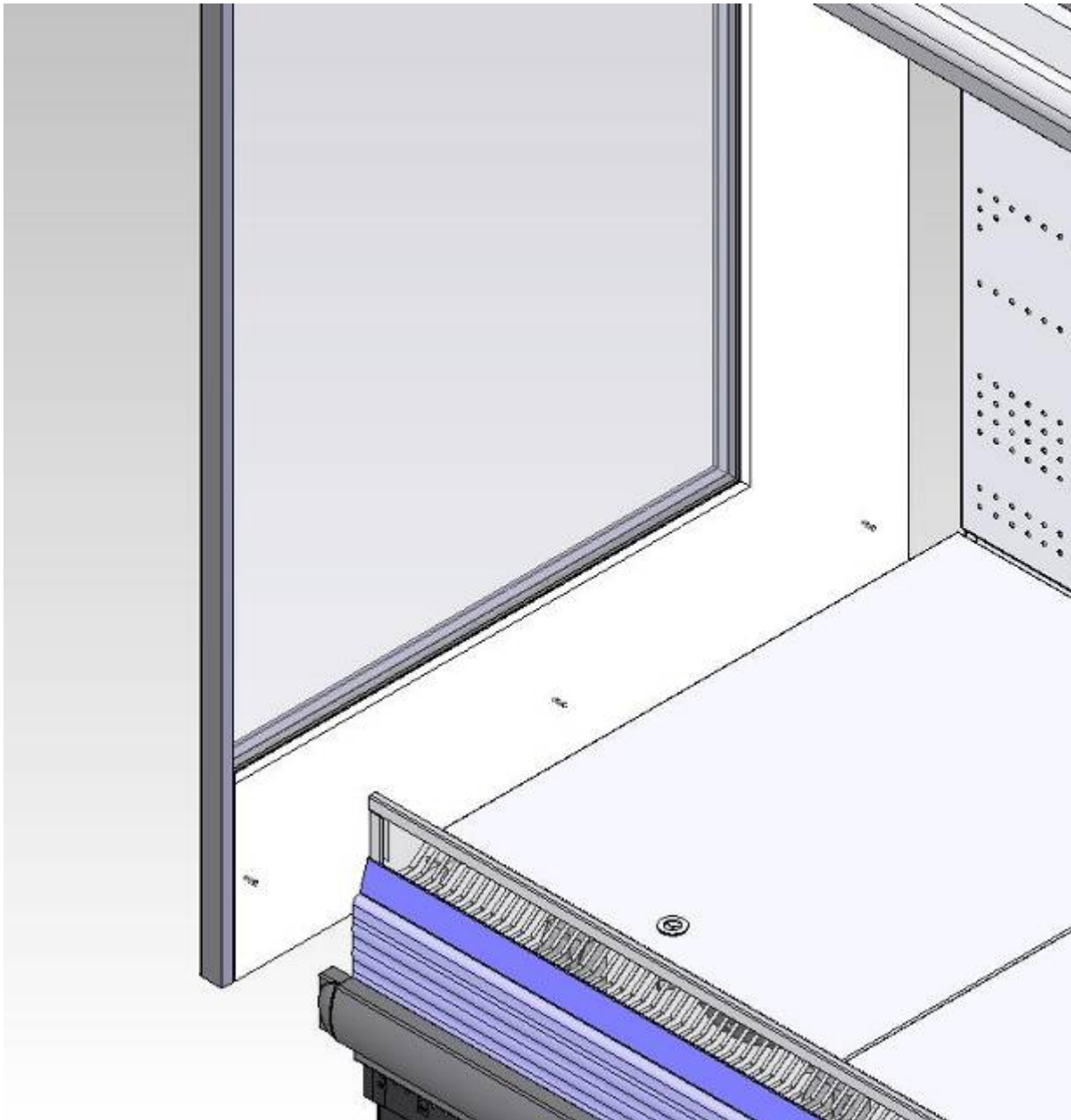


Diagram 5

9. Kick Plate Assembly

Kickplate is such an equipment that is located under the lower decor which covers the legs of refrigerator. After attaching the kickplate rubber on to the kickplate, lean the kickplate to the legs of refrigerator but be sure the kickplate rubber stays closer to the ground. Tighten the kickplate mace from left to right but be sure you placed the kickplate mace correctly to its sockets (Diagram 6)

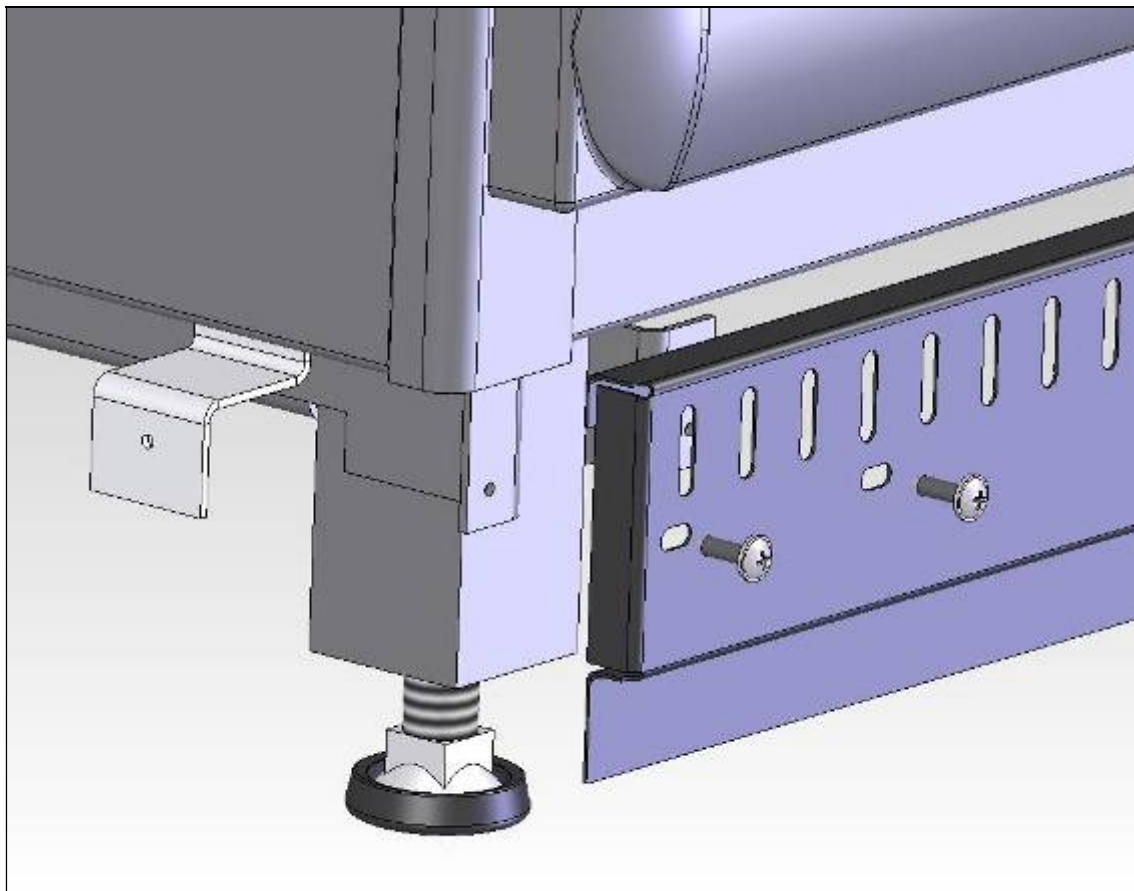


Diagram 6

10. Assembling the Shelf Brackets and Shelves

Shelf bracket is tied to back grill which is tied on the refrigerator pillar. Shelf bracket carries the refrigerator shelf. Attach the shelf bracket's upper nails on to the holes on the pillar. After you assembled the upper nails, attach the middle and lower nails. After you attached the nails on to the pillar, press on the brackets and make the nails fit well with the pillar.

(Diagram 7, Diagram 8, Diagram 9)

Diagram 7: 0° shelf angle

Diagram 8: 10° shelf angle

Diagram 9: 20° shelf angle

Place the shelf between the 2 brackets .(Diagram 10)

Make the shelf sits in front of the nail so it will not fall down .(Diagram 10)



Diagram 10: Application of Shelf

11. Lighting Installation

T5 lighting has been used for the lighting of the cabinet. As the cabinet been started the lightings will be on. No separate controller exists for it. In order to apply the fluorescent tubes place the both sides to the sockets as shown in diagram 11 after placing the tube to the channels turn it as shown at diagram 12 and make sure it has been fixed.



Diagram 11



Diagram 12

12. Electrical Connection

Details below must be examined while making the electrical connections.

Attention!! Examine the definition stickers, informations and electricity diagrams on the product guide before making the electric connections.

- Protective automatic key and main power switch must be used against electric current on the refrigerator.
- Users must know where the key is kept in case of an emergency
- **Electric systems must be grounded.**
- Maximum voltage difference must be guaranteed at %+-6.
- The thickness of the cable on the energy line must be at least 2,5 mm² and must put up with high current
- The cable of energy line must not be longer than 4-5m, depends on the conditions if cable length increases the cable cross-section must be increased too.
- For making the refrigerator works regularly, be sure you obtained the heat and the damp values which are regarded at EN441 and be sure the climate class is 3.

The personnel who will interfere to the refrigerator must have electricity certificate.

13. Temperature Control

Heat control is operated by the digital thermometer located on the upstand. (Diagram 13)

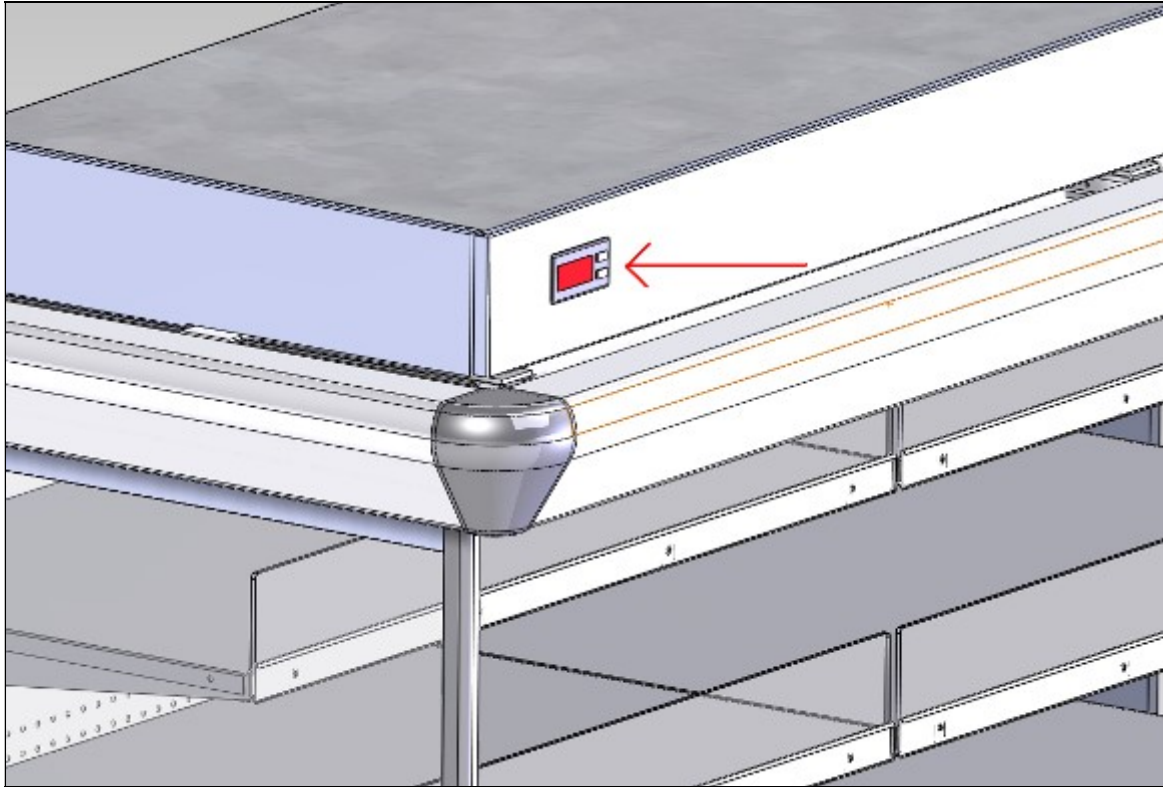


Diagram 13

14. Loading the goods

These important rules must be followed while the refrigerator is loading.

Locate the goods to the shelves tidy. Maximum loading limit is approximately 250 kg/m². Do not load over 250 kg/m²

Shelves can be adjusted in different angles. (0°,10°,20) (Diagram 14)

Diagram 14

For being able to load the refrigerator fully adjust the goods and do not leave empty spaces. Leave at least 50mm space between the loaded goods and the shelves.



Make the loading as the same product which is loaded firstly would always be loaded. Do not load any goods to the refrigerator except the refrigerator's shelves and base displates. The loading shown below are the wrong loading system.



15. Defrost and Drainage

MDM04 is an offcycle defrost cabinet. No resistance used.

Sending the defrost water out;

- Make the base connection with the refrigerator's drainage piece.
- Prepare the water siphon and connect it to the water way

Way to prepare the water emptying system (Diagram 15 and 16')

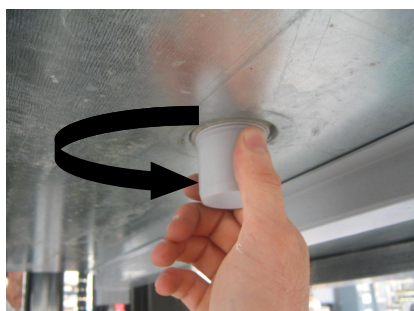


Diagram 15



Diagram 16

2nd way is shown at diagram 17.

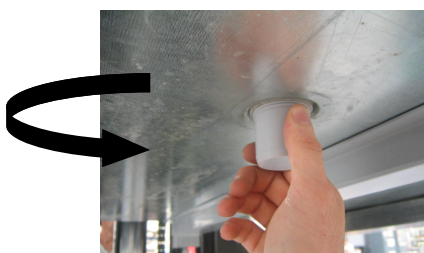
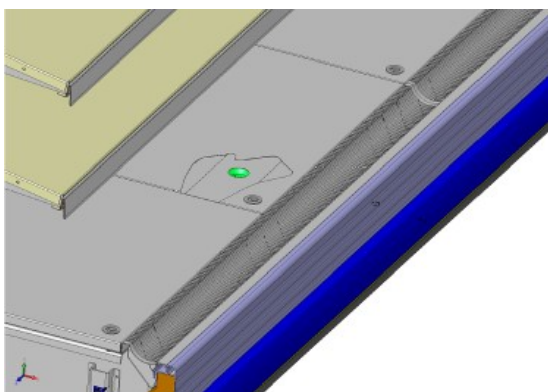
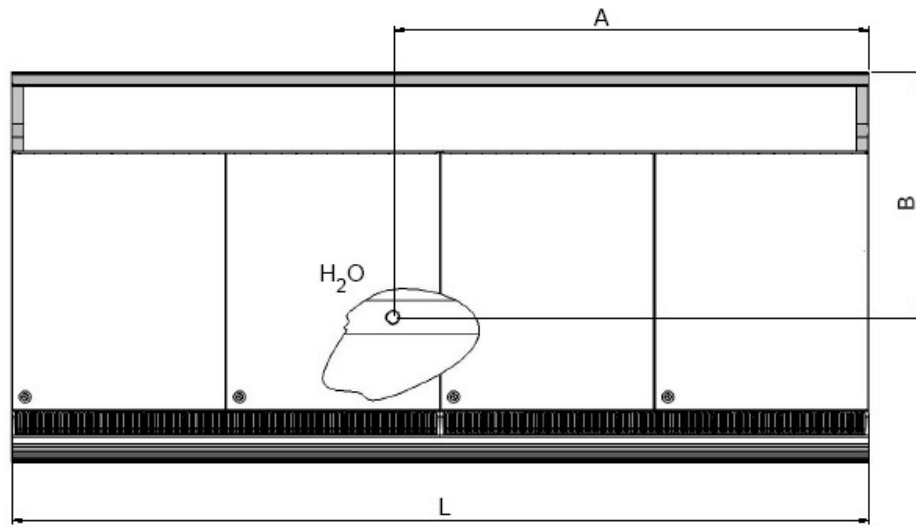


Diagram 17

There must be some water placed as much as it fills the water emptying siphon before the refrigerator's first working attempt is made. These procedures prevent the bad smell of refrigerator, avoiding of cold weather and also prevent refrigerator perspiration. **(Diagram 20)**



MODÜL (L)	1875	2500	3750	2150CE
A (mm)	1075	1387.5	2012.5	1259.5
B (mm)	714	714	714	714



Front side



Diagram 20

16. Care, Cleaning and Technical Service

ATTENTION: BEFORE CLEANING OR MAINTENANCE MAKE SURE THAT THE CABINET MAIN FUSE IS SWITCHED OFF OR NO LIVE ELECTRIC CONNECTION

It is a must for you to materialize your refrigerator's care and cleaning activities periodically. Cleaning section must be done by the users, such as cleaning the inner and outer surfaces of the refrigerators.

Before you start cleaning your refrigerator turn off the cooling and illumination keys. Remove the goods inside the refrigerator to somewhere else during the cleaning activity where the goods would not spoil. Do not remove the base displates during the cleaning. Cleaning of the refrigerator must be done just as written below.

Do not use alcohol during the cleaning

Use gloves for protecting your hands during the whole cleaning

- **First step cleaning** (After taking the delivery)
 - Be sure the package is not damaged
 - Unpack the refrigerator without harming it
 - Be sure all the pieces are undamaged and packed well.
 - Apply the steps or cleaning the refrigerator
 - Make contact with the provider company about any damage.

- **Cleaning the outer pieces** (Daily/Weekly)
 - Clean the outer pieces of the refrigerator once a week with detergent and soap.
 - Clean with soft gland and pure water.
 - Do not use any matters or solvent that could damage the outer surface.
 - Do not contact the parts which are related with electricity with water or detergent.
 - Do not use alcohol for cleaning the plexiglass.

- **Cleaning the iner pieces** (Monthly)

The reason of cleaning the iner side of the refrigerator is preventing the constitution of micro ornasisms so that the foods would be protected more efficiently.

- Remove all the foods inside.
- Cut the electricity connection or turn off the main power switch.

Disassemble all the piece that could be disassembled. For exapmle base tray , air return gril etc. Clean it with the hot chemical water and dry it.

- Clean the base trays carefully and pay attention to the unknown matters do not contact with the fans
- Contact with the authorized service if any abnormal situation occurs.

Re-place all the refrigerator equipment that you've disassembled from the refrigerator after you've finished the cleaning and connect the refrigerator to the electricity.

Turn on the illumination and cooling keys after you've finished cleaning your refrigerator.

P.S. : Be sure the fans, the illumination pieces, the electrical cables and the other equipments are dry.

- Be sure the environmental heat and the moisture are not so different than the recommended values.
- Be sure the food packages do not connect with daylight directly.
- Isolate the store's Windows against daylight.
- Do not point the spotlights on to the refrigerator directly.
- Do not let the air grills blocked.
- Use the refrigerator for only keeping the cooled goods.
- Be sure the refrigerator cools constantly. Check on the refrigerator twice a day
- Load the refrigerator oas to loading limits, do not overload.
- Empty the refrigerator immediately if any failure occurs.
- If any of the screws falls or if any of the lamp goes off change it immediately.
- Check on the automatic defrost periodically.
- Be sure there is no abnormal water condensing, if so then contact with cooling technician immediately.
- Maket he periodical cares continual.

Cabinets could give failure even you make the cleaning and care activities. When you realize that the refrigerator does not operate move as to the instructions below:

- Is cooling key switched on?
- Is everything normal at the cooling system's electricity box?
- Is there power?

If the answer of the question above are yes, then there is a problem with cabinet, with condensing unit or with installation. Contact with the technical service. Till the technical service arrives, remove all the goods in the refrigerator to somewhere else as soon as possible.

IN CASE OF GAS LEAK AND FIRE; Do not stay in the room if there is no air circulation. Plug off the refrigerator. **DO NOT USE WATER TO PUT OUT THE FIRE. ONLY USE FIRE EXTINGUISHER.**

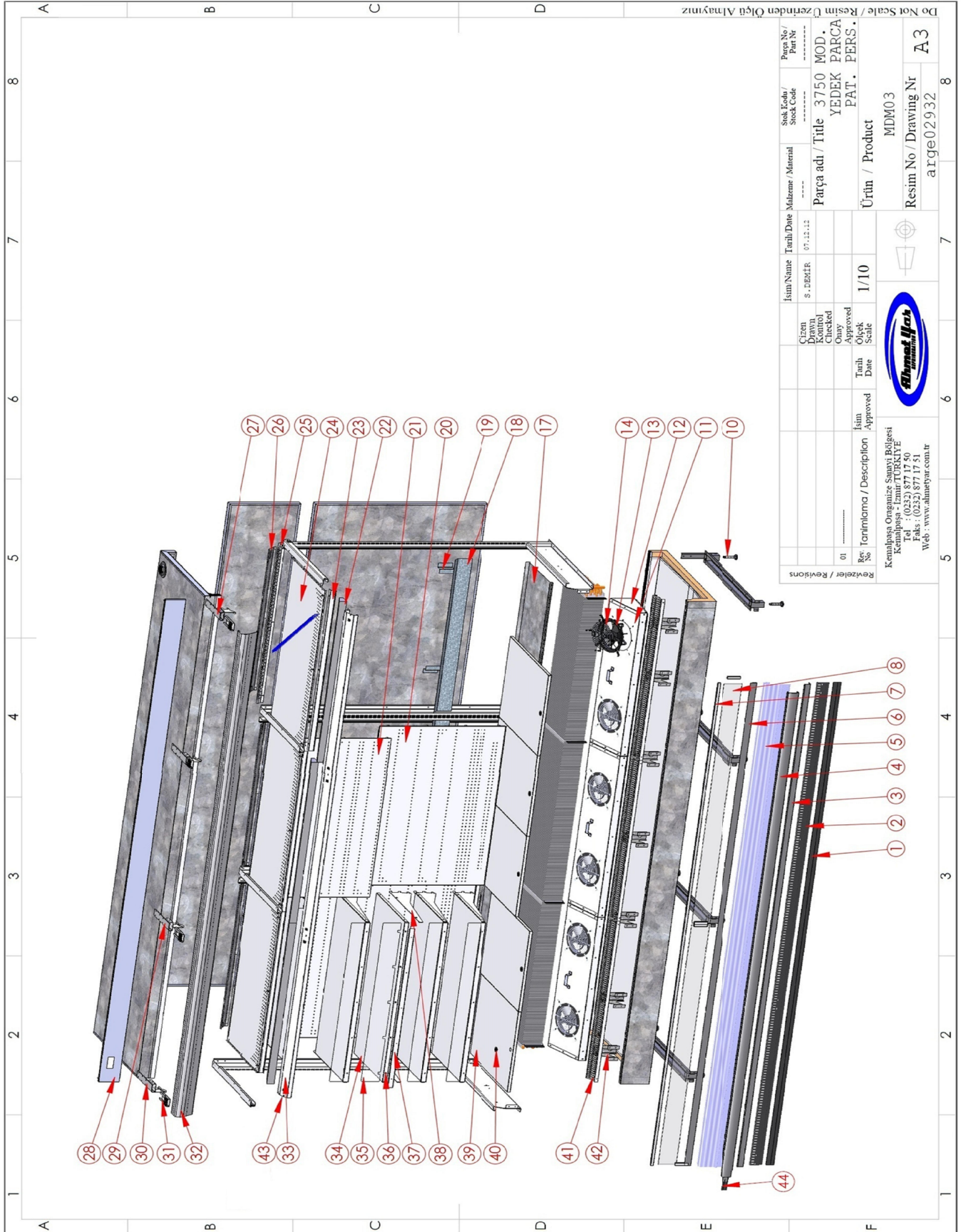
17. Recycling

Every country provides the recycling by separating the refrigerator's pieces as to their local environmental laws.

Pieces that used for the refrigerator;

- Painted sheets : Pillars,shelves,legs
- Copper, aluminium : Cooling circuit, electricity system ve ceiling illumination
- Galvanize sheets : Lower panels, painted panels, simple pieces, shelves, base trays
- Polyurethan foam : Thermal injections
- Isicam : Glasses
- Wooden : Corners of the foamed bodies
- PVC : Bumper and plastics on the windows
- Polistiren : Termoform endwalls
- Polikarbon : Lamp protection tubes

18. Spare Parts



Do Not Scale / Resim Çizimden Ölçülmemelidir		Parça No / Part Nr	
Stok Kodu / Stock Code		3750 MOD.	
İsminin / Name		YEDEK PARÇA	
Tarih / Date		PAT. PERS.	
Malzeme / Material		Ürün / Product	
M.DEMİR		MDM03	
07.12.12		Resim No / Drawing Nr	
01		arge02932	
A3			
Çizim / Drawing	Denetim / Control	Onay / Approved	Tarih / Date
1/10			
Tanımlama / Description		İsminin / Name	
Kenapaşa Organize Sanayi Bölgesi		Ahmet Yasar	
Kenapaşa - İzmir TÜRKİYE		Tel : (0232) 877 17 50	
Faks : (0232) 877 17 51		Web : www.ahmeyasar.com.tr	

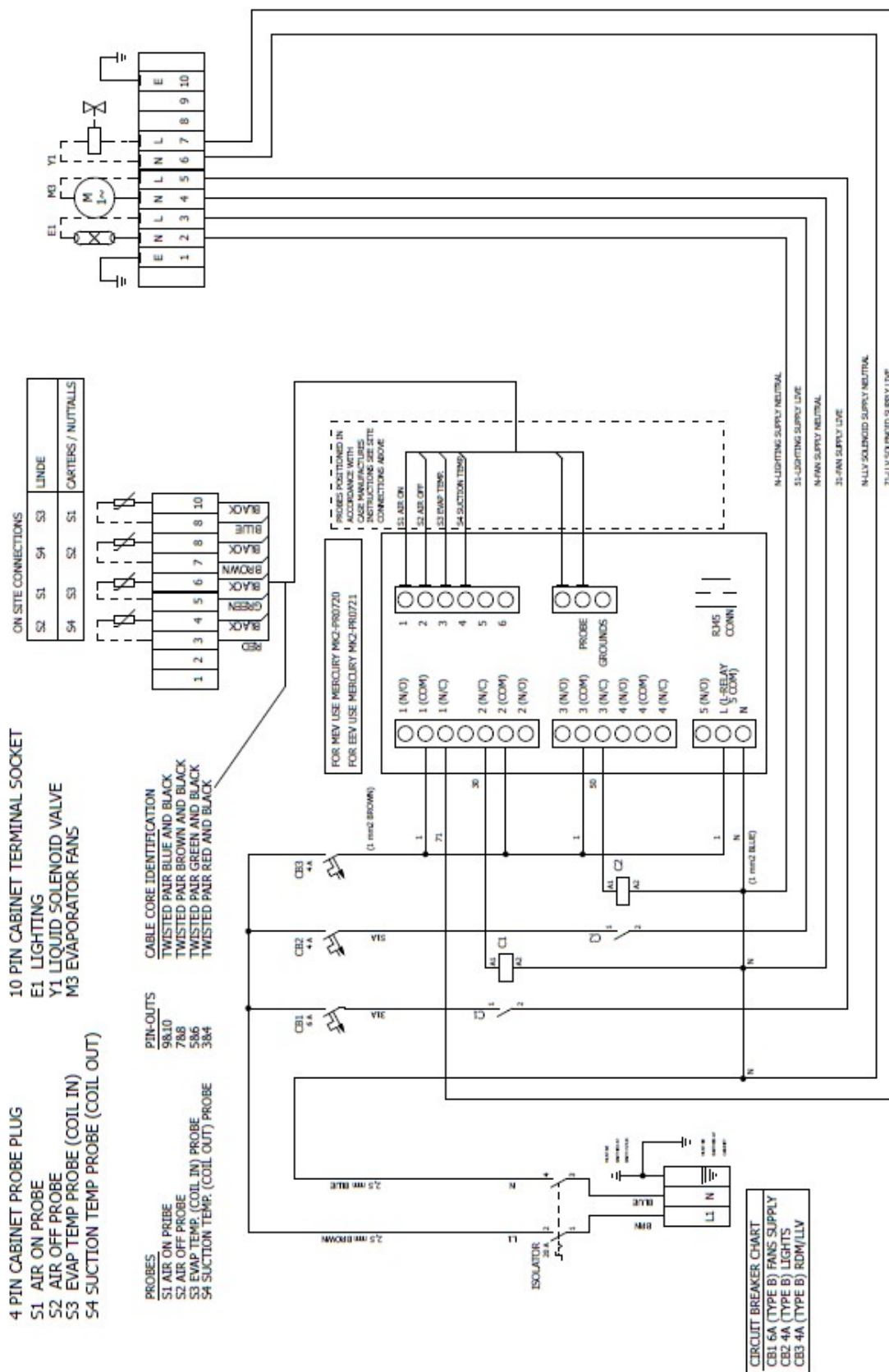
MDM04 SPARE PARTS LIST							
NO	CODE	NAME	PCS				UNIT
			1875	2500	3750	2300	
1	10410202	BAZA LASTIGI YENI TIP 3800 mm. - (R07 SIYAH)	1		1		AD
	10410203	BAZA LASTIGI YENI TIP 2550 mm. - (R07 SIYAH)		1		1	AD
2	48103053	MDM03 BAZA SACI 1875 MM BOYALI	1				AD
	48104053	MDM03 BAZA SACI 2500 MM BOYALI		1			AD
	48106053	MDM03 BAZA SACI 3750 MM BOYALI			1		AD
	48115053	MDM03 BAZA SACI 2150 CE BOYALI				1	AD
3	48103036	MDM03 ON DEKOR SACI 1875 MM BOYALI	1				AD
	48104036	MDM03 ON DEKOR SACI 2500 MM BOYALI		1			AD
	48106036	MDM03 ON DEKOR SACI 3750 MM BOYALI			1		AD
	48115036	MDM03 ON DEKOR SACI 2150 MM BOYALI				1	AD
	48100068	MDM03 ON DEKOR SACI 1035 MM BOYALI				2	AD
4	40008203	DEEP FREEZE TAMPON PROFILI 1875 mm. - R 515 ACIK GRI	1				AD
	40008204	DEEP FREEZE TAMPON PROFILI 2500 mm. - R 515 ACIK GRI		1			AD
	40008206	DEEP FREEZE TAMPON PROFILI 3750 mm. - R 515 ACIK GRI			1		AD
	40008207	DEEP FREEZE TAMPON PROFILI 2150 mm. - R 515 ACIK GRI				1	AD
	40008208	DEEP FREEZE TAMPON PROFILI 1010 mm. - R 515 ACIK GRI				2	AD
	40008211	DEEP FREEZE TAMPON PROFILI TIRNAKSIZ 1875 mm. - R 515	1				AD
	40008212	DEEP FREEZE TAMPON PROFILI TIRNAKSIZ 2500 mm. - R 515		1			AD
	40008214	DEEP FREEZE TAMPON PROFILI TIRNAKSIZ 3750 mm. - R 515			1		AD
	40008215	DEEP FREEZE TAMPON PROFILI TIRNAKSIZ 2150 mm. - R 515				1	AD
	40008216	DEEP FREEZE TAMPON PROFILI TIRNAKSIZ 1010 mm. - R 515				2	AD
5	40007183	MDM03 ON DEKOR ALUMINYUMU 1875 MM (RAL7040)	1				AD
	40007184	MDM03 ON DEKOR ALUMINYUMU 2500 MM (RAL7040)		1			AD
	40007186	MDM03 ON DEKOR ALUMINYUMU 3750 MM (RAL7040)			1		AD
	40007187	MDM03 ON DEKOR ALUMINYUMU 2150 MM (RAL7040)				1	AD
	40007188	MDM03 ON DEKOR ALUMINYUMU 1035 MM (RAL7040)				2	AD
6	10410134	AGEAN ON CAM ALT U PROFILI 2550 mm.- R515 ACIK GRI		1		1	AD
	10410135	AGEAN ON CAM ALT U PROFILI 3800 mm. - R515 ACIK GRI	1		1		AD
7	10410133	AGEAN ON CAM U PROFILI 2550 mm. - R515 ACIK GRI (30021)		1		1	AD
	10410132	AGEAN ON CAM U PROFILI 3800 mm. - R515 ACIK GRI (30021)	1		1		AD
8	23610677	MDM03 ON CAM SECURIT 1875 MODUL (1867x125x8 mm	1		2		AD
	23610679	MDM03 ON CAM SECURIT 2500 MODUL (2492x125x8 mm		1			AD
	23610678	MDM03 ON CAM SECURIT 2150 KAFA MODULU (2142x125x8 mm				1	AD
10	24019908	CIVATA AYAK M16*90 (LASTIKLI)	4	6	8	6	AD
11	38103090	MDM03 FAN DAVLUMBAZ SACI 1875 MM	1				AD
	38104090	MDM03 FAN DAVLUMBAZ SACI 2500 MM SAG		1	1		AD
	38104091	MDM03 FAN DAVLUMBAZ SACI 2500 MM SOL		1	1		AD
	38106090	MDM03 FAN DAVLUMBAZ SACI 3750 MM ORTA			1		AD
	38115090	MDM03 FAN DAVLUMBAZ SACI 1075 MM				2	AD

12	38100127	MDM03 FAN SACI ALT TRAVERSİ SAG	1	2	3	2	AD
	38100128	MDM03 FAN SACI ALT TRAVERSİ SOL	1	2	3	2	AD
13	40015022	FAN MOTORU+KANAT ENERJİ SAVING W1G200	3	4	6	4	AD
14	20860016	SPG FAN MUHAFAZA TELİ Ø 200 SIYAH	3	4	6	4	AD
17	38103093	MDM03 EVAPORATOR ORTME SACI 1875 MM	1				AD
	38104093	MDM03 EVAPORATOR ORTME SACI 2500 MM		1			AD
	38106093	MDM03 EVAPORATOR ORTME SACI 3750 MM			1		AD
	38115093	MDM03 EVAPORATOR ORTME SACI 2150 CE				1	AD
18	34401300	PATARA HAVA YONLENDİRME SACI-1 937 MM	2				AD
	34402300	PATARA HAVA YONLENDİRME SACI-1 1250 MM		2	3		AD
	34415300	PATARA HAVA YONLENDİRME SACI-1 1075 MM				2	AD
19	34400305	PATARA HAVA YONLENDİRME SACI TRAVERSİ-40 MM	4	4	6	4	AD
20	48101038	MDM03 ARKA TEL ALT 937 MM BOYALI	2				AD
	48102038	MDM03 ARKA TEL ALT SAG 1250 MM BOYALI		1	1		AD
	48102039	MDM03 ARKA TEL ALT SOL 1250 MM BOYALI		1	1		AD
	48102040	MDM03 ARKA TEL ALT ORTA 1250 MM BOYALI			1		AD
	48115038	MDM03 ARKA TEL ALT SAG 1075 MM BOYALI				1	AD
	48115039	MDM03 ARKA TEL ALT SOL 1075 MM BOYALI				1	AD
21	48101037	MDM03 ARKA TEL UST 937 MM BOYALI	2				AD
	48102037	MDM03 ARKA TEL UST 1250 MM BOYALI		2	3		AD
	48115037	MDM03 ARKA TEL UST 1075 MM BOYALI				2	AD
22	21030204	ARI PETEGI SUTLUK 1250*80 GRI ACILI KESİM H1=25 mm	2	2	3	2	AD
23	48101054	MDM03 ARI PETEGI SACI 937 MM BOYALI	2				
	48102054	MDM03 ARI PETEGI SACI 1250 MM BOYALI		2	3		AD
	48115054	MDM03 ARI PETEGI SACI 1075 MM BOYALI				2	AD
24	48103025	MDM03 TAVAN SACI 1875 MM BOYALI MONTAJLI	1				AD
	48104025	MDM03 TAVAN SACI 2500 MM BOYALI MONTAJLI		1			AD
	48106025	MDM03 TAVAN SACI 3750 MM BOYALI MONTAJLI			1		AD
	48115025	MDM03 TAVAN SACI 2150 CE BOYALI MONTAJLI				1	AD
25	48101103	MDM03 TAVAN Z SACI 937 MM BOYALI	2				AD
	48102103	MDM03 TAVAN Z SACI 1250 MM BOYALI		2	3		AD
	48115103	MDM03 TAVAN Z SACI 1075 MM BOYALI				2	AD
26	38101160	MDM03 UST ARKA HAVA YONLENDİRME SACI 937 MM	2				AD
	38102160	MDM03 UST ARKA HAVA YONLENDİRME SACI 1250 MM		2	3		AD
	38115160	MDM03 UST ARKA HAVA YONLENDİRME SACI 1075 MM				2	AD
27	48100108	MDM03 UST DEKOR BAGLANTI SACI KAYNAKLI BOYALI SAG	1	1	1	1	AD
28	48103024	MDM03 TAC SACI 1875 MM BOYALI	1				AD
	48104024	MDM03 TAC SACI 2500 MM BOYALI		1			AD
	48106024	MDM03 TAC SACI 3750 MM BOYALI			1		AD
	48115024	MDM03 TAC SACI 2150 CE BOYALI				1	AD
	48100060	MDM03 TAC SACI YAN BOYALI SAG				1	AD
	48100061	MDM03 TAC SACI YAN BOYALI SOL				1	AD
29	48100110	MDM03 UST DEKOR BAGLANTI SACI KAYNAKLI BOYALI ORTA	1	1	2	1	AD

30	48100109	MDM03 UST DEKOR BAGLANTI SACI KAYNAKLI BOYALI SOL	1	1	1	1	AD
31	48100111	MDM03 PERDE BAGLANTI KIZAGI MONTAJLI	3	3	4	3	AD
32	40006203	SUTLUK UST DEKOR ALUMINYUMU 1875 MM (RAL 7040)	1				AD
	40006204	SUTLUK UST DEKOR ALUMINYUMU 2500 MM (RAL 7040)		1			AD
	40006206	SUTLUK UST DEKOR ALUMINYUMU 3750 MM (RAL 7040)			1		AD
	40006207	SUTLUK UST DEKOR ALUMINYUMU 2150 MM BOYALI (RAL 7040)				1	AD
	40006208	SUTLUK UST DEKOR ALUMINYUMU 1035 MM BOYALI (RAL7040)				2	AD
33	48103030	MDM03 LAMBALIK SACI 1875 MM BOYALI	1				AD
	48104030	MDM03 LAMBALIK SACI 2500 MM BOYALI		1			AD
	48106030	MDM03 LAMBALIK SACI 3750 MM BOYALI			1		AD
	48115030	MDM03 LAMBALIK SACI 2150 MM BOYALI				1	AD
	48103031	MDM03 LAMBALIK SACI 1875 MM BOYALI (LED AYDINLATMA)	1				AD
	48104031	MDM03 LAMBALIK SACI 2500 MM BOYALI (LED AYDINLATMA)		1			AD
	48106031	MDM03 LAMBALIK SACI 3750 MM BOYALI (LED AYDINLATMA)			1		AD
34	48115031	MDM03 LAMBALIK SACI 2150 CE BOYALI (LED AYDINLATMA)				1	AD
	40001050	MDM03 RAF 600*937 MM BOYALI	10				AD
	40001051	MDM03 RAF 600*1250 MM BOYALI		10	15		AD
35	40001052	MDM03 RAF 600*1075 MM BOYALI				10	AD
	23640165	MDM03 RAF ON SIPHERLIGI 127x919x5 mm. PLEKSIGLASS	10				AD
	23640163	MDM03 RAF ON SIPHERLIGI 127x1232x5 mm. PLEKSIGLASS		10	15		AD
36	23640164	MDM03 RAF ON SIPHERLIGI 127x1057x5 mm. PLEKSIGLASS				10	AD
	24050123	MDM03 RAF YUZUGU	40	50	75	50	AD
37	48101092	MDM03 RAF ETIKETLIK SACI 935 MM BOYALI	10				AD
	48102092	MDM03 RAF ETIKETLIK SACI 1248 MM BOYALI		10	15		AD
	48115092	MDM03 RAF ETIKETLIK SACI 1073 MM BOYALI				10	AD
38	40002109	MDM04 RAF KOLU 600 MM BOYALI	20	20	30	20	AD
39	48102055	MDM03 TAVA 625 MM BOYALI TRAVERS LI	3	4	6		AD
	48115055	MDM03 TAVA 716 MM BOYALI TRAVERS LI				3	AD
40	23700219	TAVA TAPASI BEYAZ	3	4	6	3	AD
41	48101041	MDM03 ON EMIS SACI 937 MM BOYALI	2				AD
	48102041	MDM03 ON EMIS SACI 1250 MM BOYALI		2	3		AD
	48115041	MDM03 ON EMIS SACI 1075 MM BOYALI				2	AD
42	38100026	MDM03 ON EMIS AYAGI	4	6	6	4	AD
43	22340901	MDM (ASDA) KANOPI LEDI 870 mm. - QE GLOBAL	2			1	AD
	22340902	MDM (ASDA) KANOPI LEDI 1170 mm. - QE GLOBAL		2	3	1	AD
	22320149	T5 FLORESAN 849 mm. 4000 K (TL5 HE 21W/840) - PHILIPS	2		3	1	AD
	22320150	T5 FLORESAN 1149 mm. 4000 K (TL5 HE 28W/840) - PHILIPS		2		1	AD
44	40008217	HD.106 DEEP FREEZE TAMPON DESTEK PROFILI 1875 mm.	1				AD
	40008218	HD.106 DEEP FREEZE TAMPON DESTEK PROFILI 2500 mm.		1			AD
	40008219	HD.106 DEEP FREEZE TAMPON DESTEK PROFILI 3750 mm.			1		AD
	40008220	HD.106 DEEP FREEZE TAMPON DESTEK PROFILI 2150 mm.				1	AD
	40008221	HD.106 DEEP FREEZE TAMPON DESTEK PROFILI 1010 mm.				2	AD

*Malzeme ve yarımamul taleplerinde; kod tanımlarında "BOYALI" ibaresi geçen kodlar için, boya kodu belirtilmelidir.

19. Wiring Diagrams





Cool Solutions Ltd

4 Brook View
Grange Park
Northampton
NN4 5DR

01604 767 338
07840 354 268

30th September 2010

F.A.O. Mr Brian Churchyard
Refrigeration Manager
ASDA.

This is to confirm that on 15th September 2010 I carried out a validation check on a 2.5m Ahmet Yar Remote 3M0 multideck.

The cabinet complied with the requirements of ASDA, in that all product temperatures were higher than -1°C and lower than $+4^{\circ}\text{C}$ for the entire 24 hour period of the test including defrost. An ISO3 environment of 25°C and 60%RH was maintained throughout the 24 hour test period. The Tylose test packs were arranged as per EN23953.

The duty rating was 1694W/m at an evaporating temperature of -6.6°C . The warmest pack @ 3.6°C was shelf5, front, right hand, upper pack. The coldest pack @ -0.05°C was on shelf5, rear, middle, upper pack.

Yours sincerely

John D.S. Lilburn